

# QUICK START GUIDE



For a full version of the manual visit [gastech.com/d-guard2](http://gastech.com/d-guard2)



**t** +61 8 6108 0000

**e** [info@gastech.com](mailto:info@gastech.com)

**w** [gastech.com](http://gastech.com)



support

**HEAD OFFICE**  
24 Baretta Road  
Wangara WA 6065  
Phone: +61 8 6108 0000

**SYDNEY OFFICE**  
Suite G01, 10 Tilley Lane  
Frenchs Forest NSW 2086  
Phone: +61 2 9451 0054

**BRISBANE OFFICE**  
PO Box 349  
Cannon Hill QLD 4170  
Phone +61 7 3160 0901

[gas detection](#) | designed for support | [gastech.com](http://gastech.com)



## 9 SPAN CALIBRATION

Step 1. Use for auto span.

Step 2. Use to continue.

Step 3. Use to save.

Step 4. Use to exit.

## 8 ZERO CALIBRATION

Step 1. Use for auto zero.

Step 2. Use to start.

Step 3. Use to save.

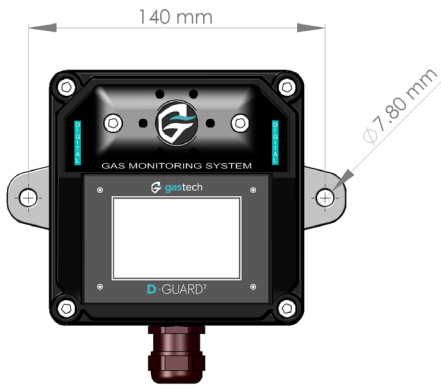
Step 4. Use to exit.

# QUICK START GUIDE

D-GUARD<sup>2</sup>

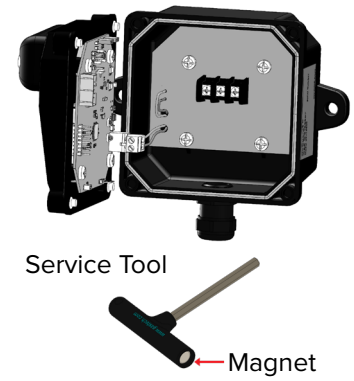
## 1 INSTALLATION

Make sure the gland faces the ground.



## 2 OPEN THE CASE

Use the Service Tool to loosen the four screws which hold the lid on.

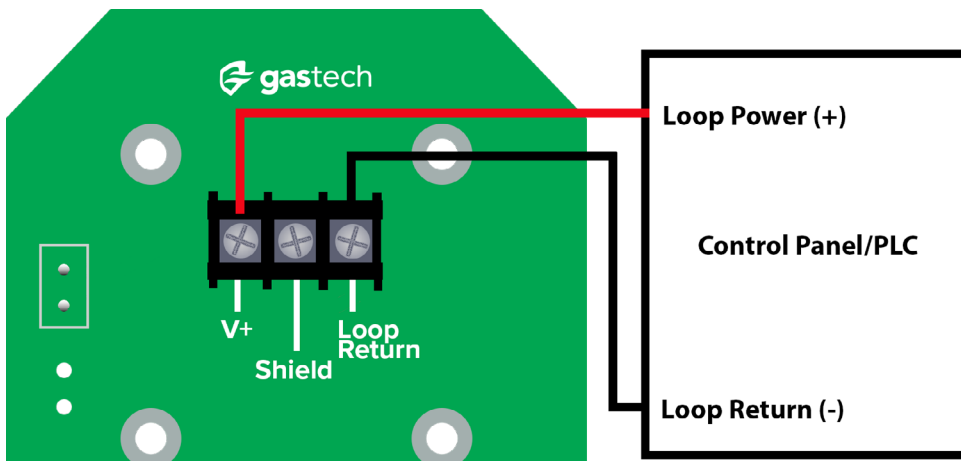


**WARNING:** The D-Guard<sup>2</sup> must be installed by an approved person. Incorrect installation can cause injury or death to personnel.



Read the instruction manual.

## 3 ELECTRICAL INSTALLATION

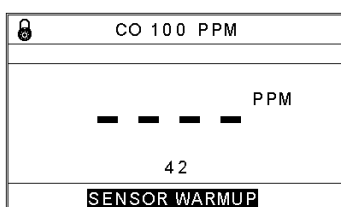


Connect the D-Guard<sup>2</sup> to a DC supply voltage of 13-28V. Make sure the outer diameter of the cable sheath is between 10 and 14 mm to allow the gland to seal properly.

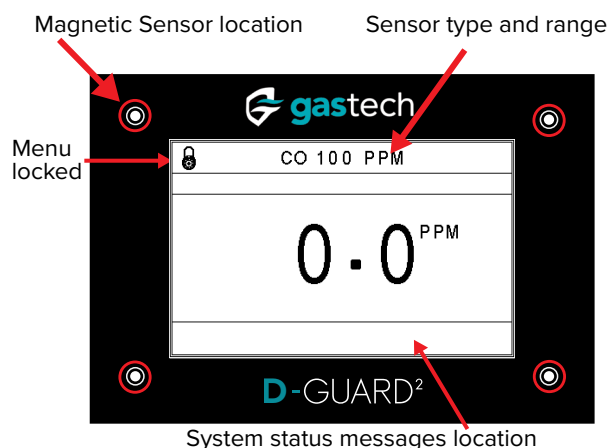
## 4 SPLASH SCREEN



## 5 WARM-UP SCREEN

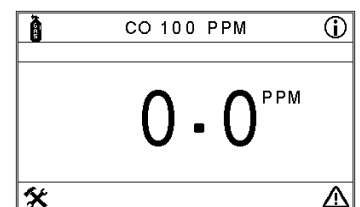


## 6 UNLOCK THE MENU SCREEN

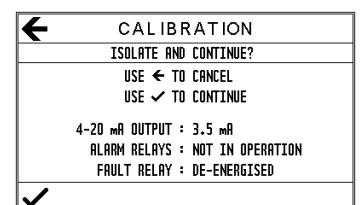


Put the Service Tool over the magnetic sensor location to activate the user menu.

## 7 ACCESS CAL MENU



Step 1. Use to enter menu.



Step 2. Use to continue.

Item Number 201017