

VDP 2

Vibrating Diaphragm Gas Pump

Gastech has designed the VDP2 Sample Pump primarily for use where a remote sample draw option is required.

Utilizing “vibrating diaphragm” principle provides a sample pump which can provide continuous reliable service.

A standard flow rate of 0 to 2 LPM is available. A integrated flow meter is provided to show pump operation.

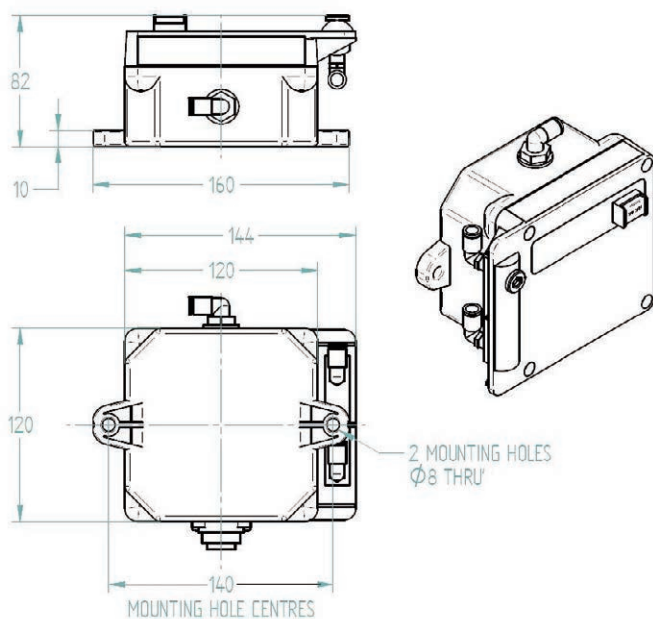
The Gastech VDP2 Sample Pump is constructed from the same durable, weather & chemical proof anti-static nylon material as Gastech D-Guard² transmitters.

The Gastech VDP2 Sample Pump is compatible for use with all associated Gastech gas sensor types.



KEY FEATURES

- Designed for remote sample draw
- Vibrating Diaphragm Technology
- Reliable for continuous operations
- Durable, Weather & Chemical Proof
- Compatible for all associated Gastech gas sensor types



VDP2

SPECIFICATIONS Specifications subject to change without notice

Pump Type	Vibrating Diaphragm
Flow Rate	0 to 2 LPM
Operating Voltage	24VDC (nominal)
Power Consumption	150mA (peak)
Net weight	400 grams
Dimensions	140W x 120H x 82D mm
Mounting	(x2) 8mm integral mounting lugs
Wiring	<p>Do not take the lid off of the pump housing.</p> <ul style="list-style-type: none">• Eco mate female straight connector is supplied for connection to +24V DC power supply.• Use cable size 6- 12.5 mm O/D• Screw Down Terminal 1 : +24V DC• Screw Down Terminal 2 : 0 V• For Tubes connection, "PUSH IN" Type of connectors are used• 6mm O/D tubes must be used.
Part No	30-1010

**t** +61 8 6108 0000**e** info@gastech.com**w** gastech.com

HEAD OFFICE

24 Baretta Road
Wangara WA 6065
Phone: +61 8 6108 0000

SYDNEY OFFICE

21/25 Narabang Way
Belrose NSW 2085
Phone: +61 2 9451 0054

BRISBANE OFFICE

PO Box 349
Cannon Hill Qld 4170
Phone: +61 7 3160 0901